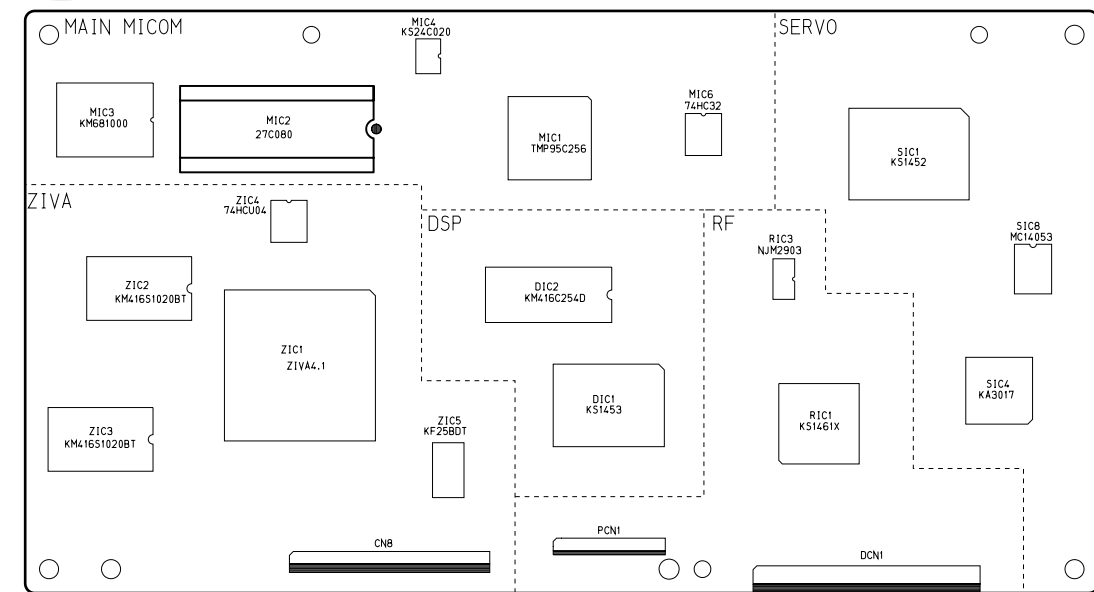


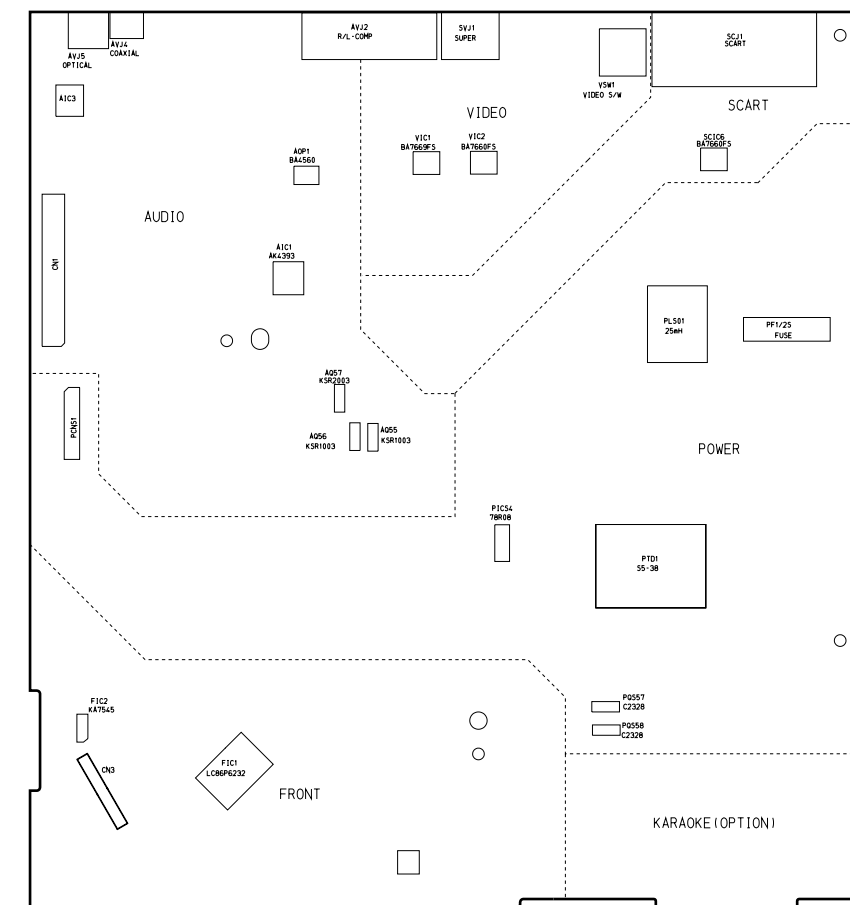
12. Schematic Diagrams

12-1 Power (120 Voltage) - - - - -	12-2
12-2 Power (Free Voltage) - - - - -	12-3
12-3 Main-Micom - - - - -	12-4
12-4 Servo - - - - -	12-5
12-5 Video (RCA Jack Output) - - - - -	12-6
12-6 Video (SCART Jack Output) - - - - -	12-7
12-7 Audio - - - - -	12-8
12-8 Audio 5.1 Channel - - - - -	12-9
12-9 RF - - - - -	12-10
12-10 ZiVA (A/V Decoder) - - - - -	12-11
12-11 DSP - - - - -	12-12
12-12 Front-Micom/VFD Display - - - - -	12-13
12-13 Headphone - - - - -	12-14
12-14 Key - - - - -	12-15
12-15 Deck - - - - -	12-16
12-16 Remote Control - - - - -	12-17

Block Identification of PCB

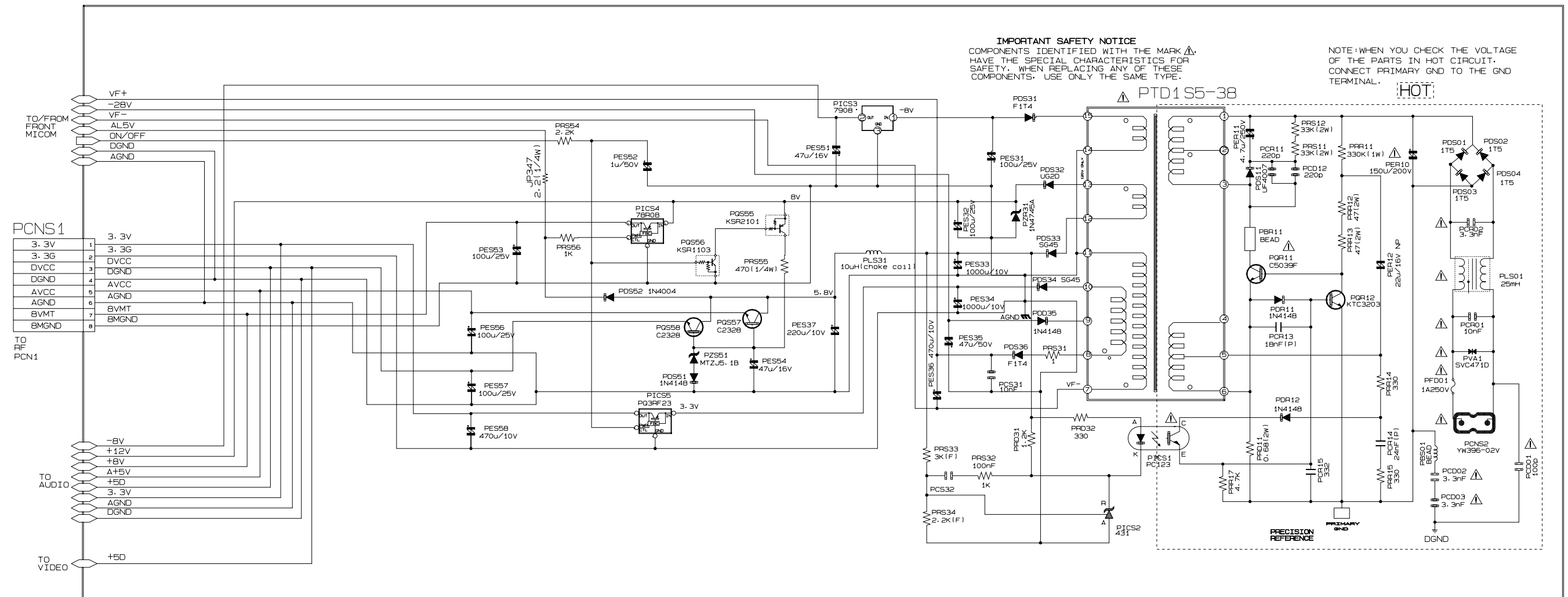


Main PCB (Component Side)

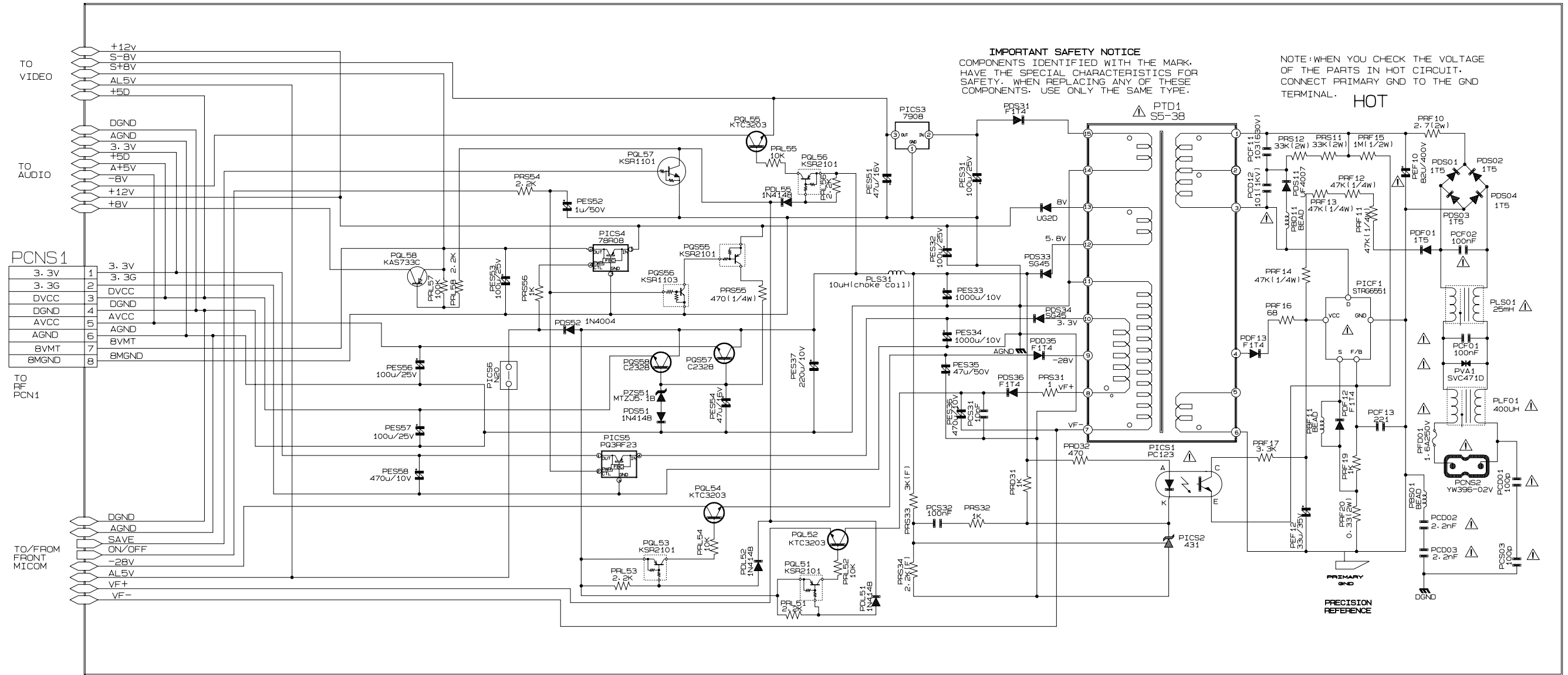


Jack PCB (Conductor Side)

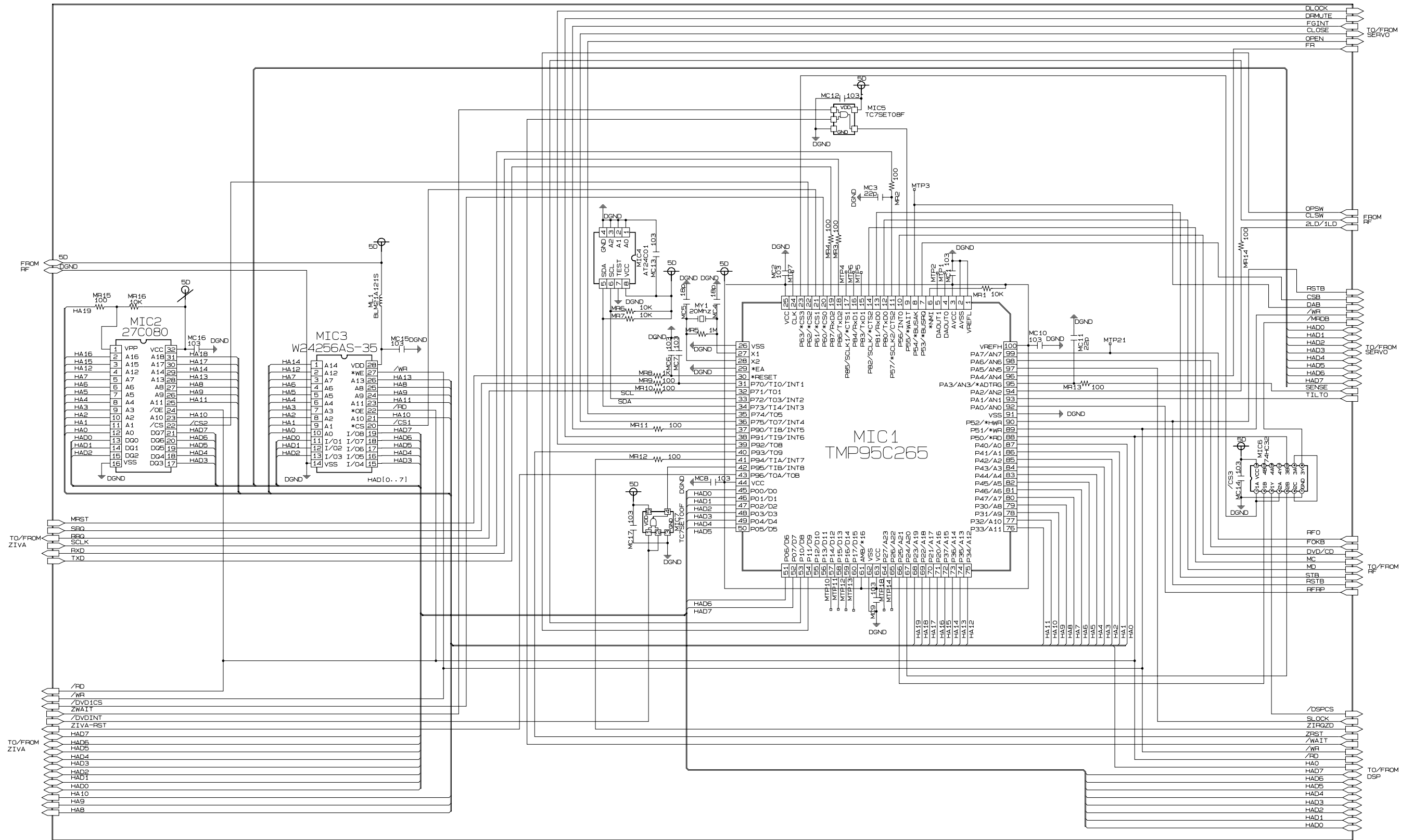
12-1 Power (120/127 Voltage)



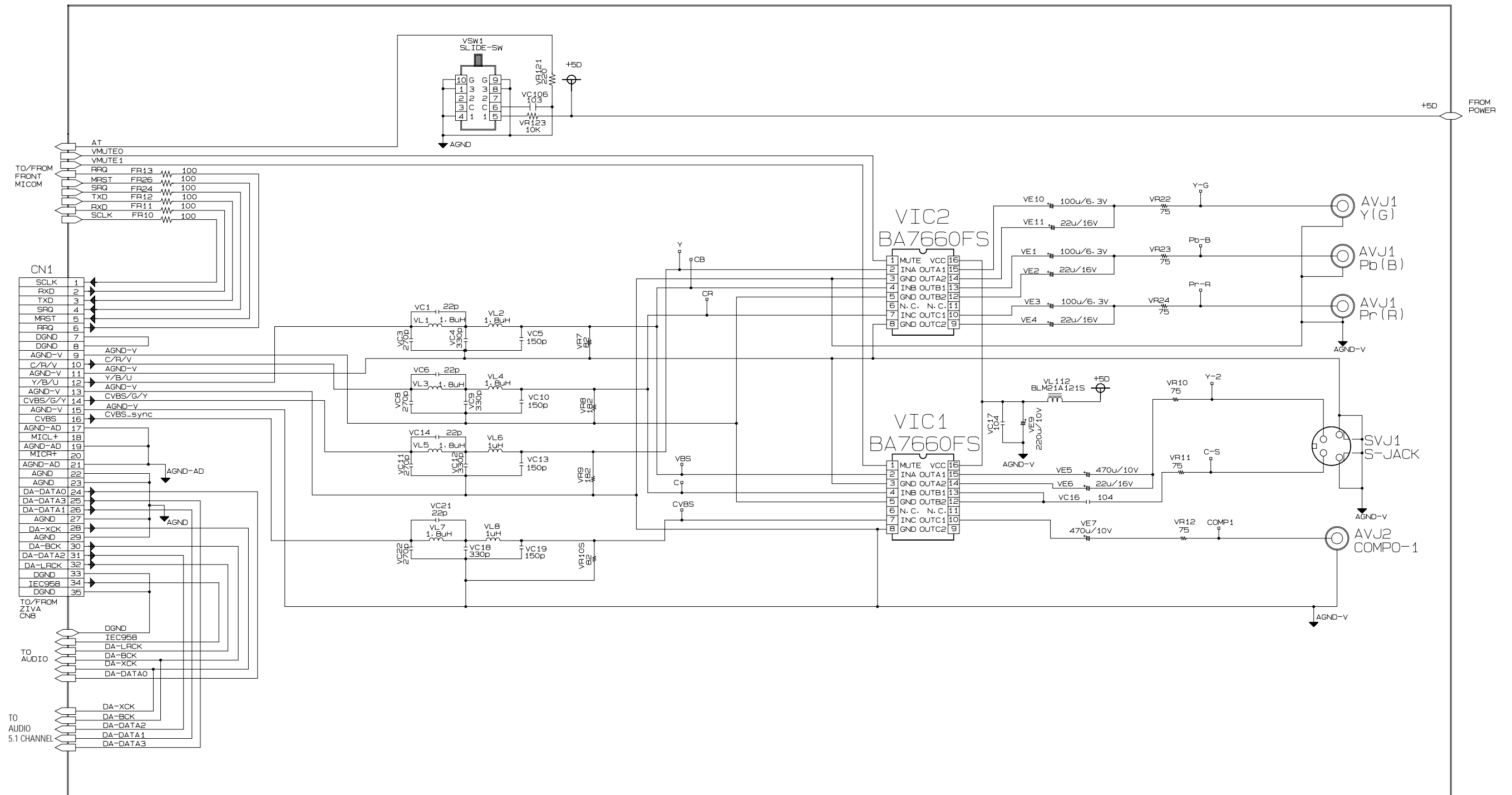
12-2 Power (Free Voltage)



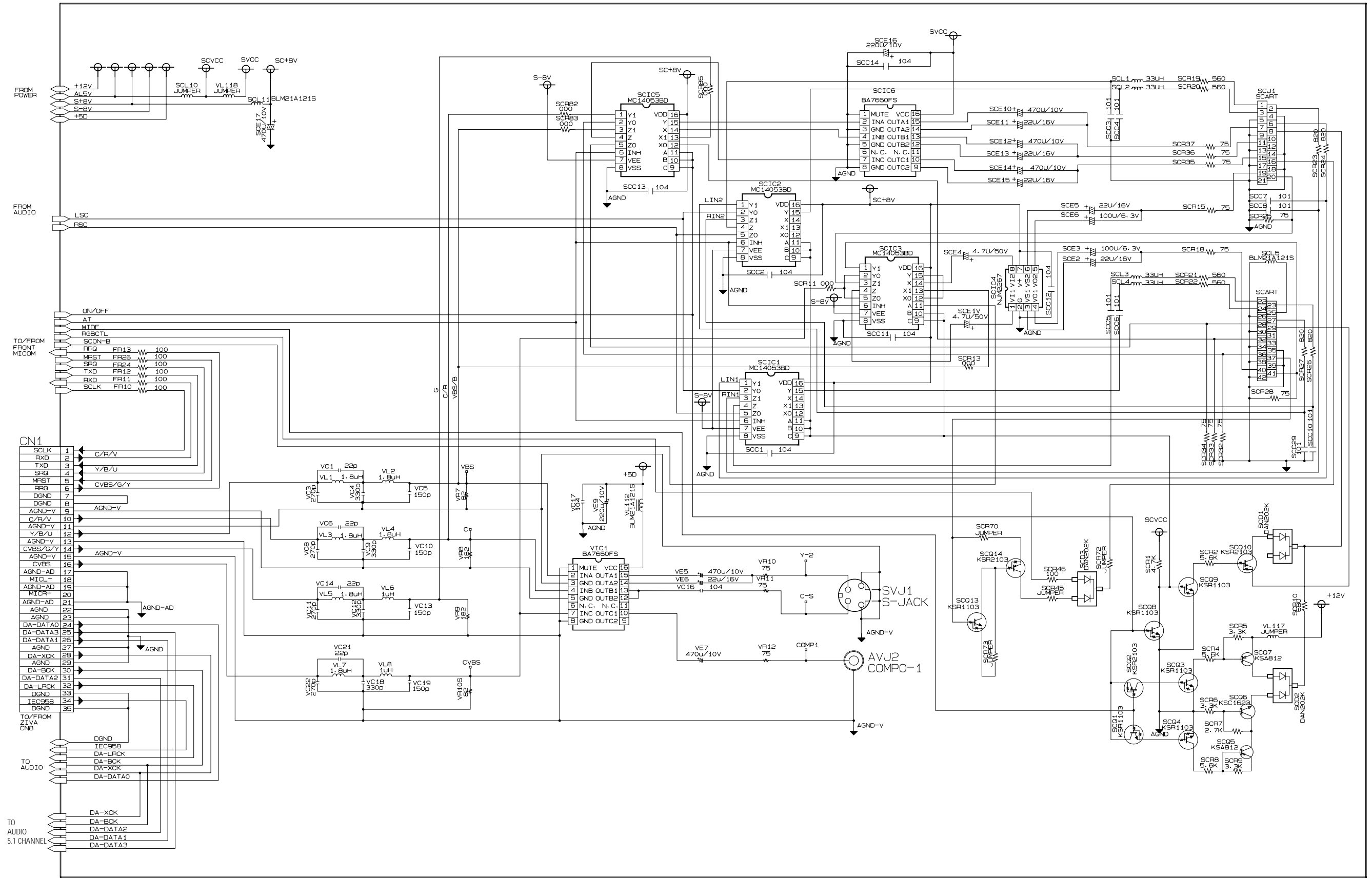
12-3 Main-Micom



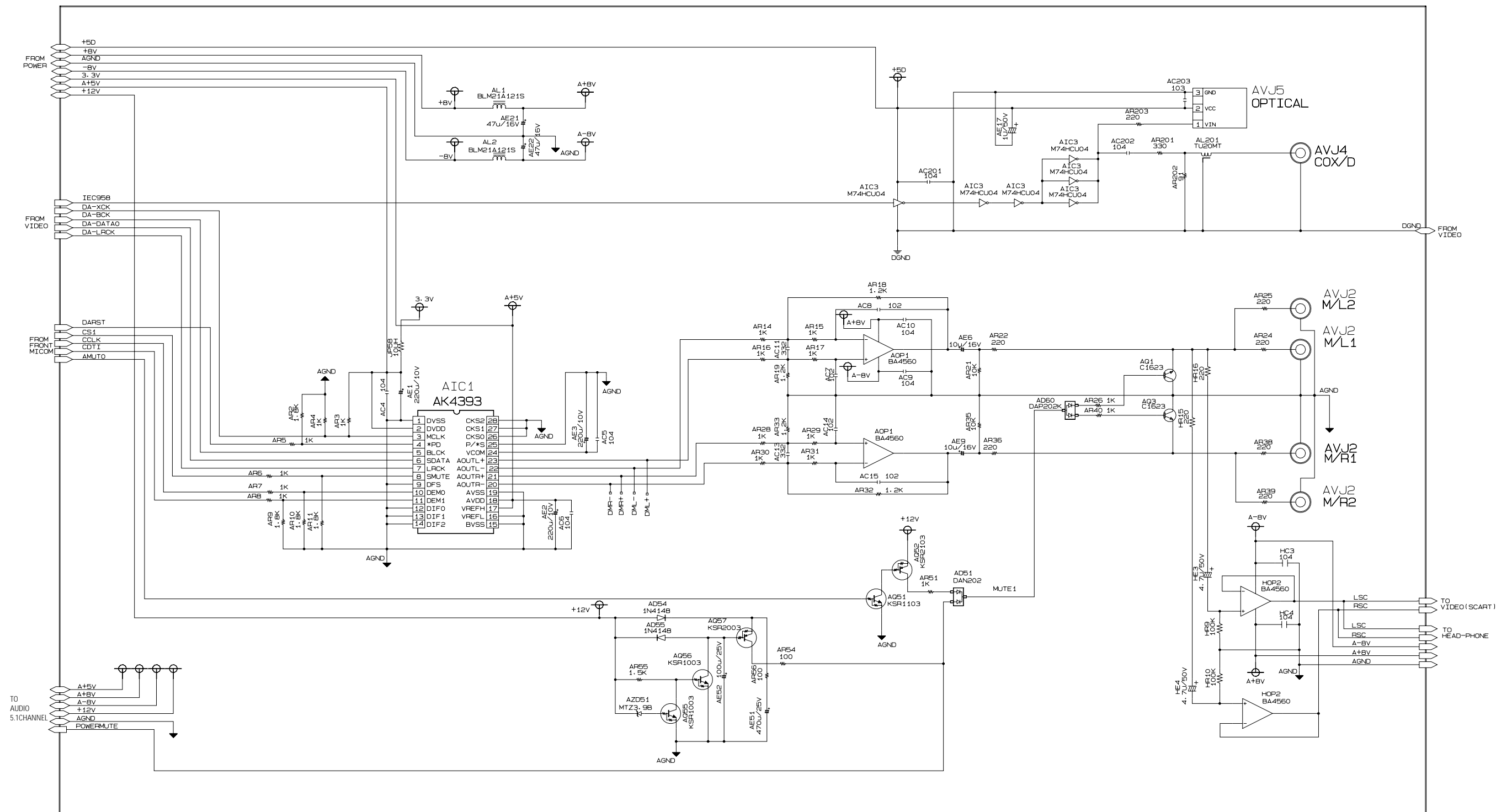
12-5 Video (RCA Jack Output)



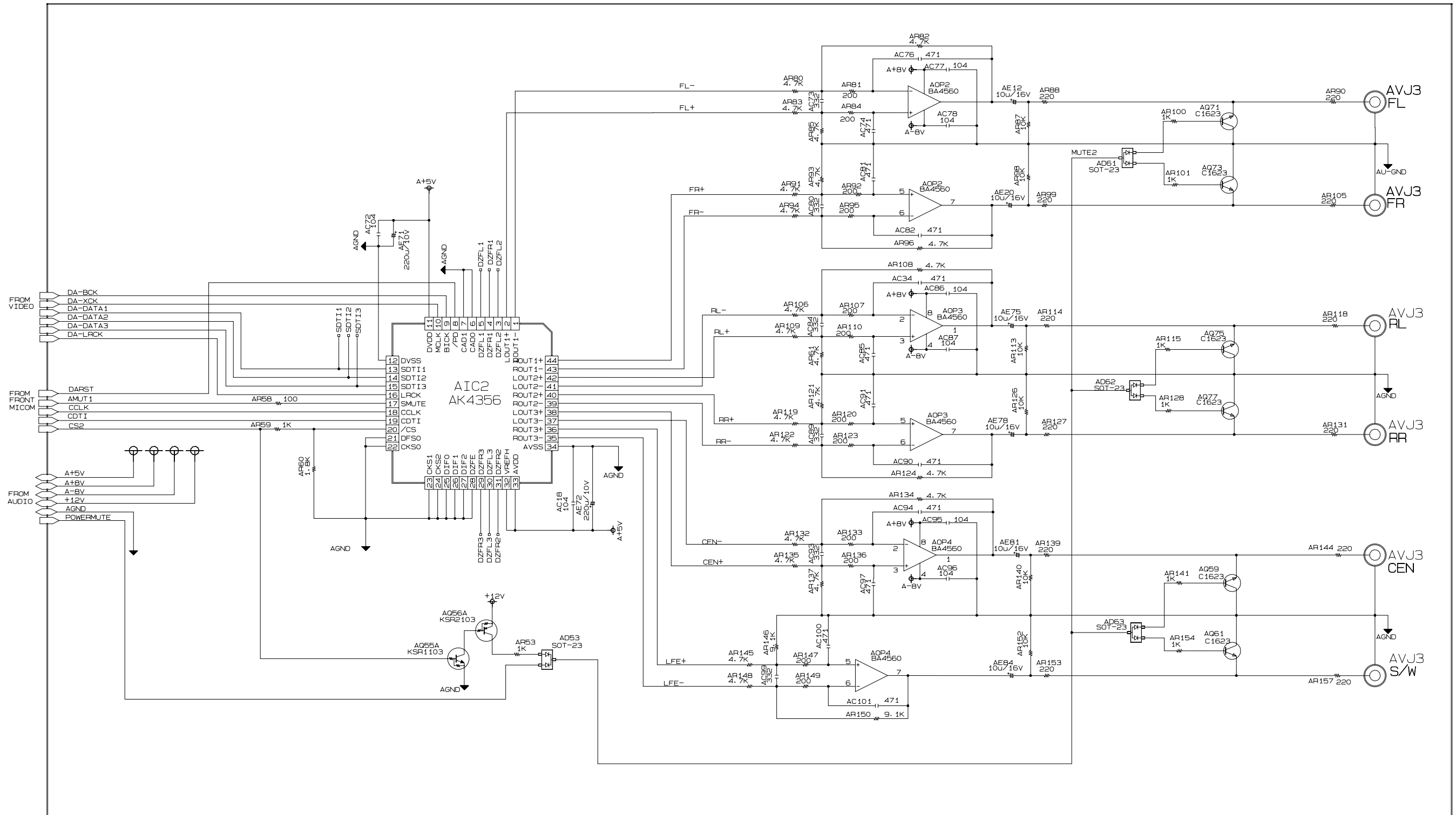
12-6 Video (SCART Jack Output)



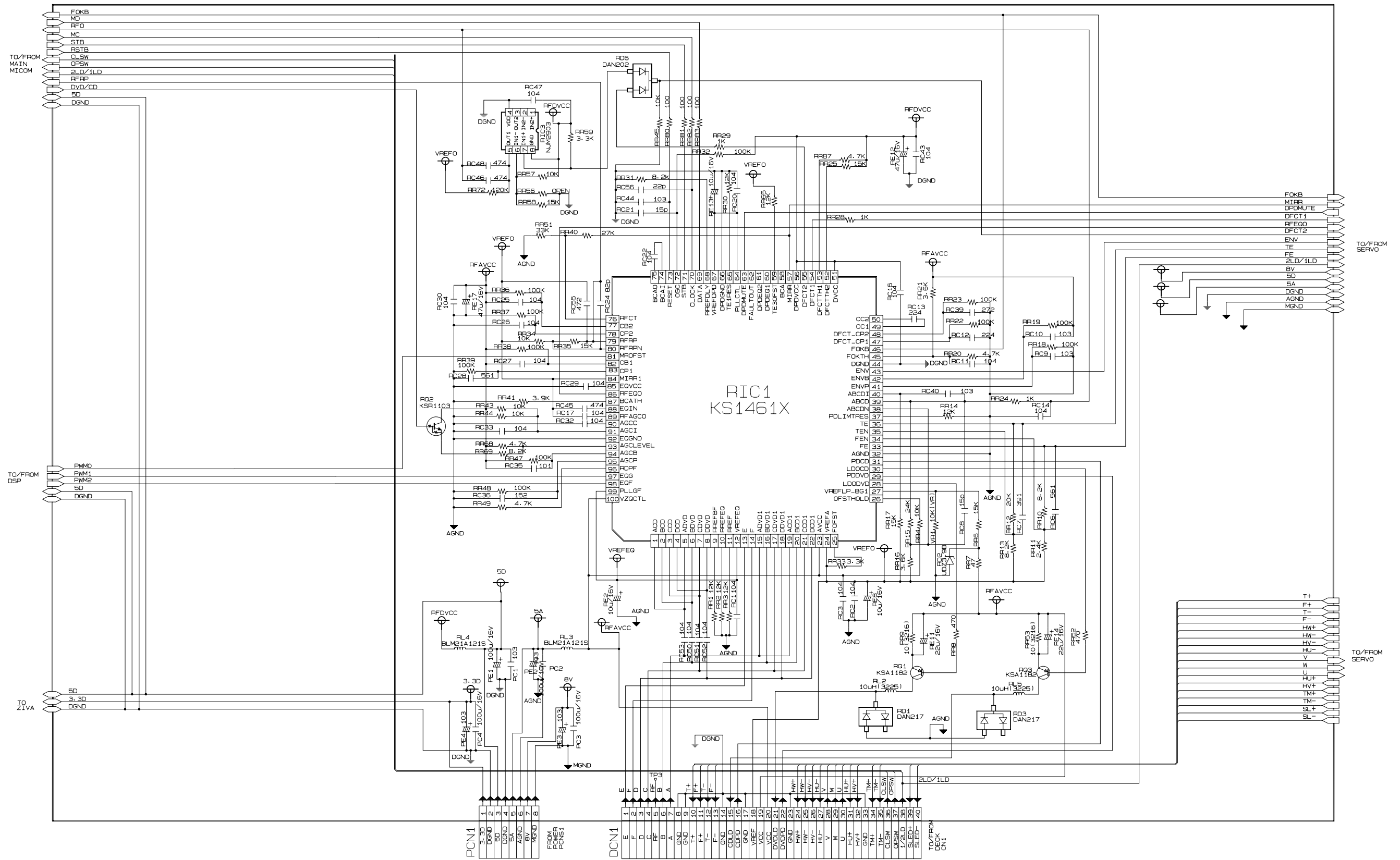
12-7 Audio



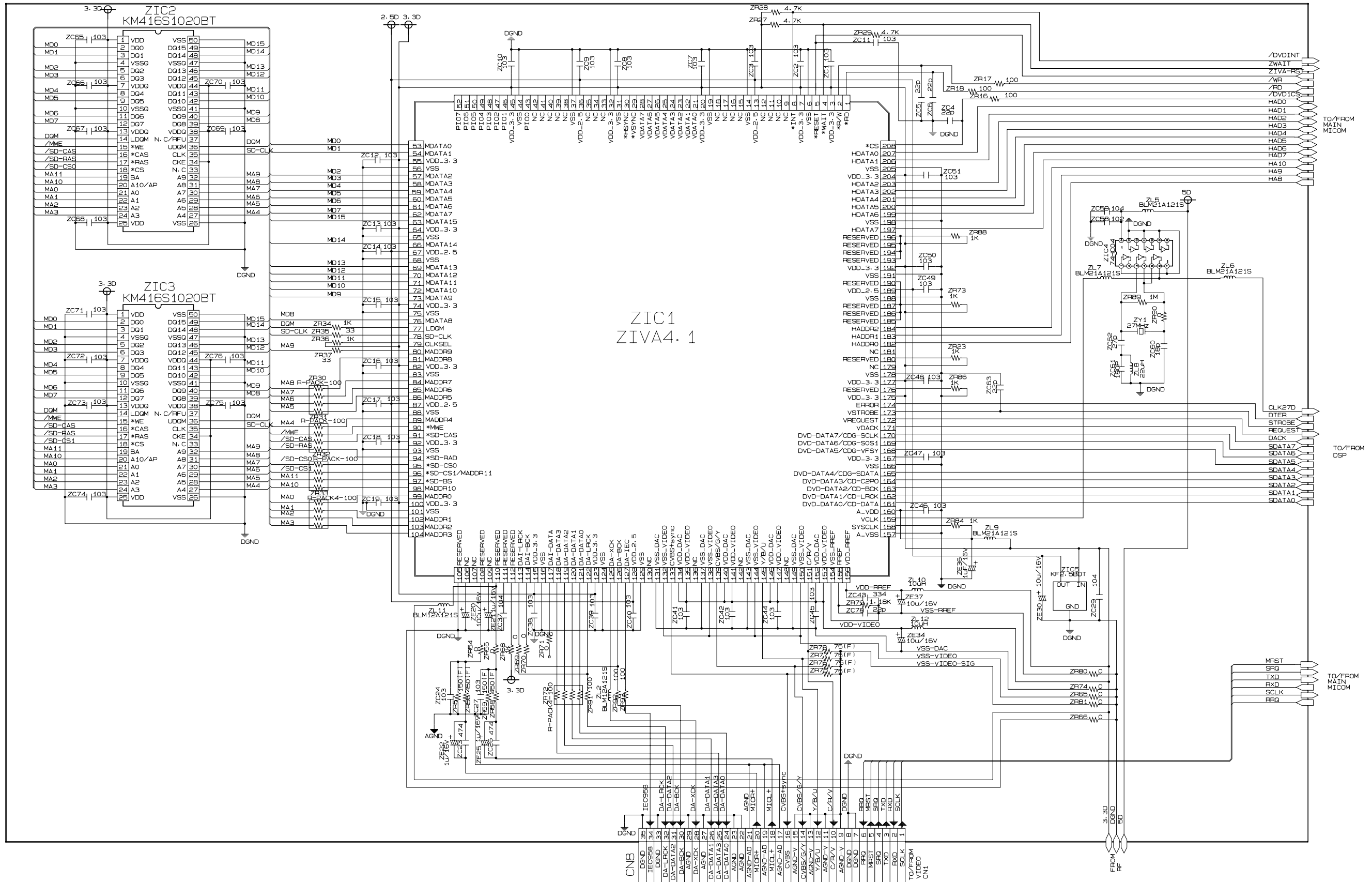
12-8 Audio 5.1 Channel



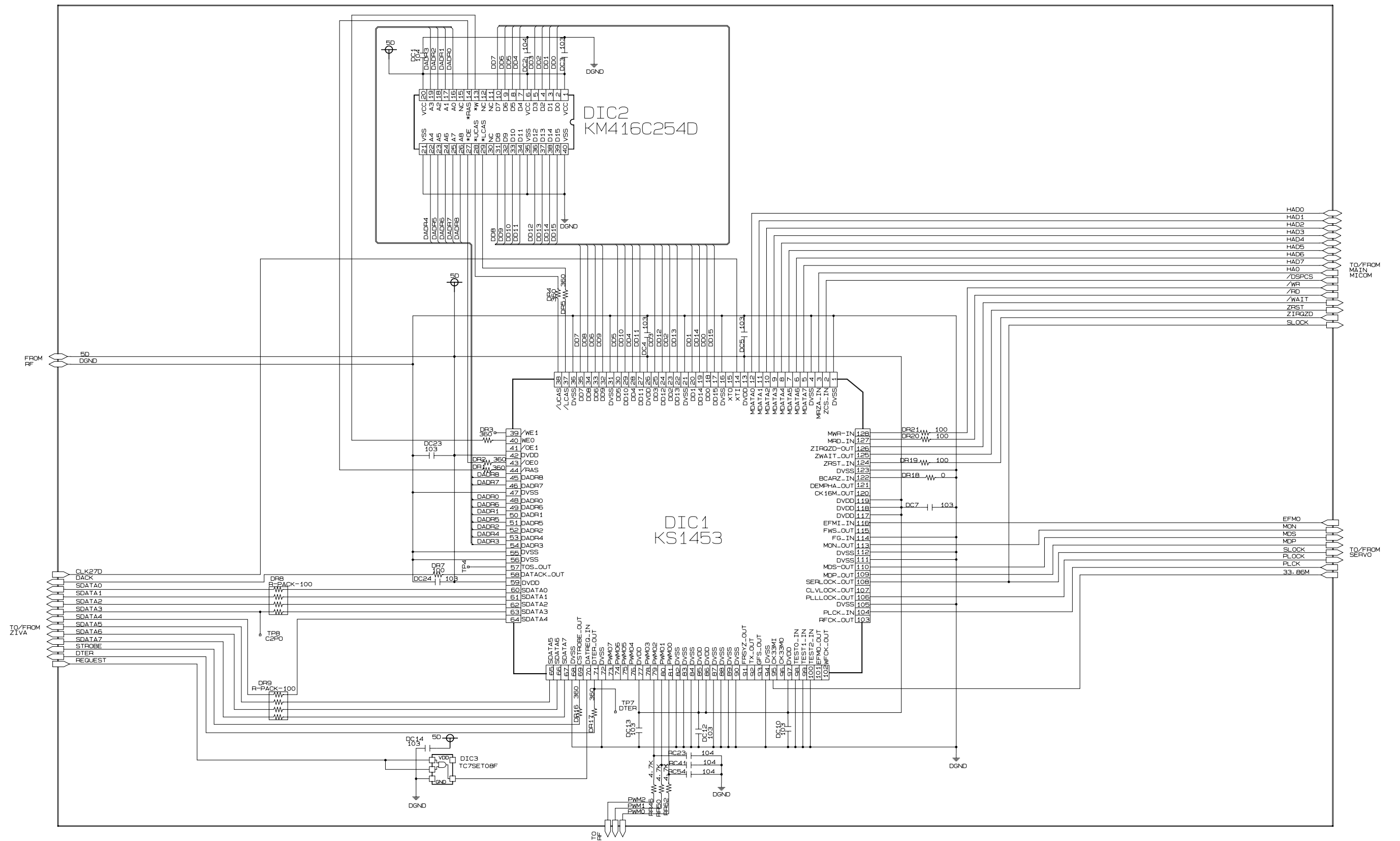
12-9 RF



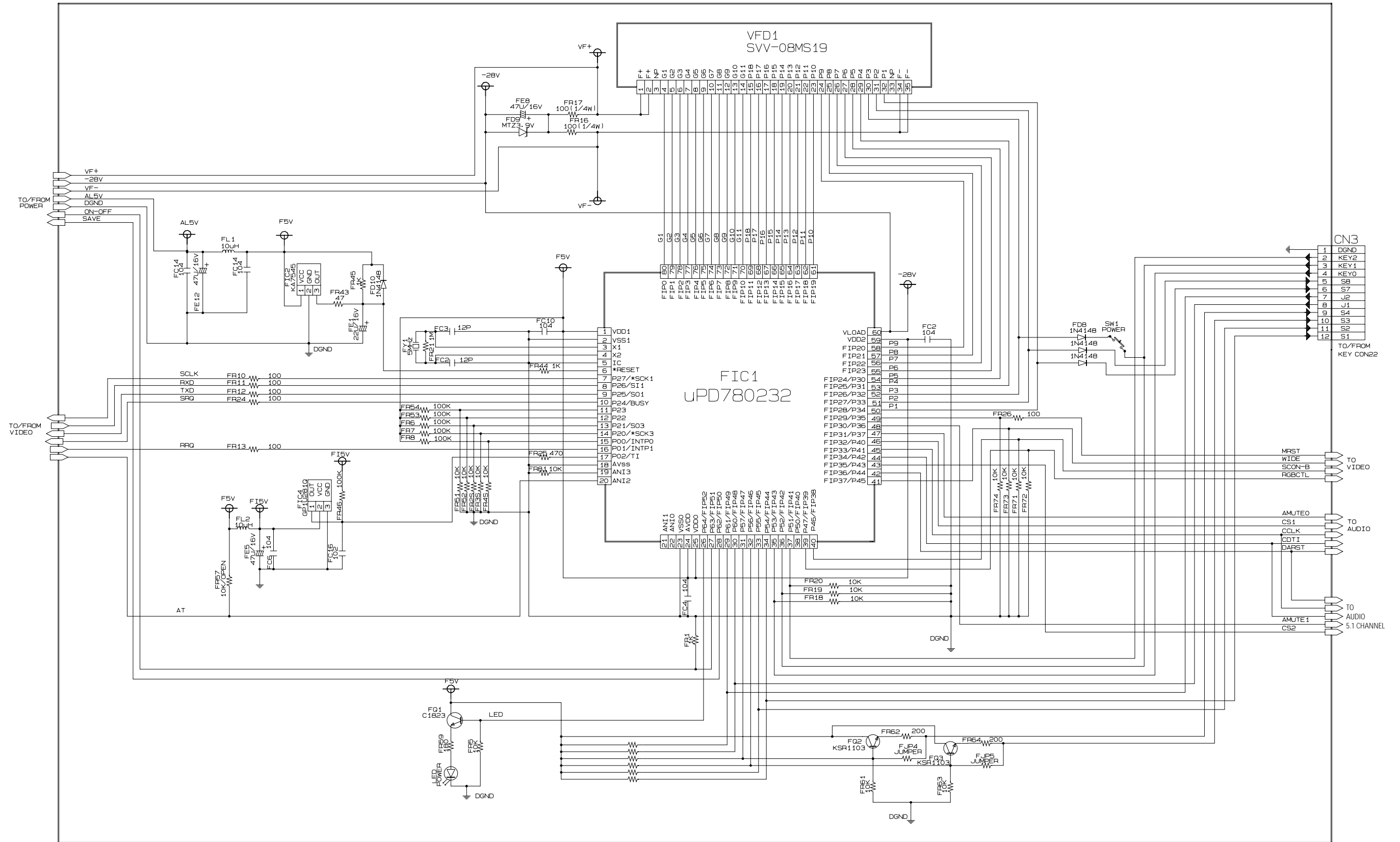
12-10 ZiVA (A/V Decoder)



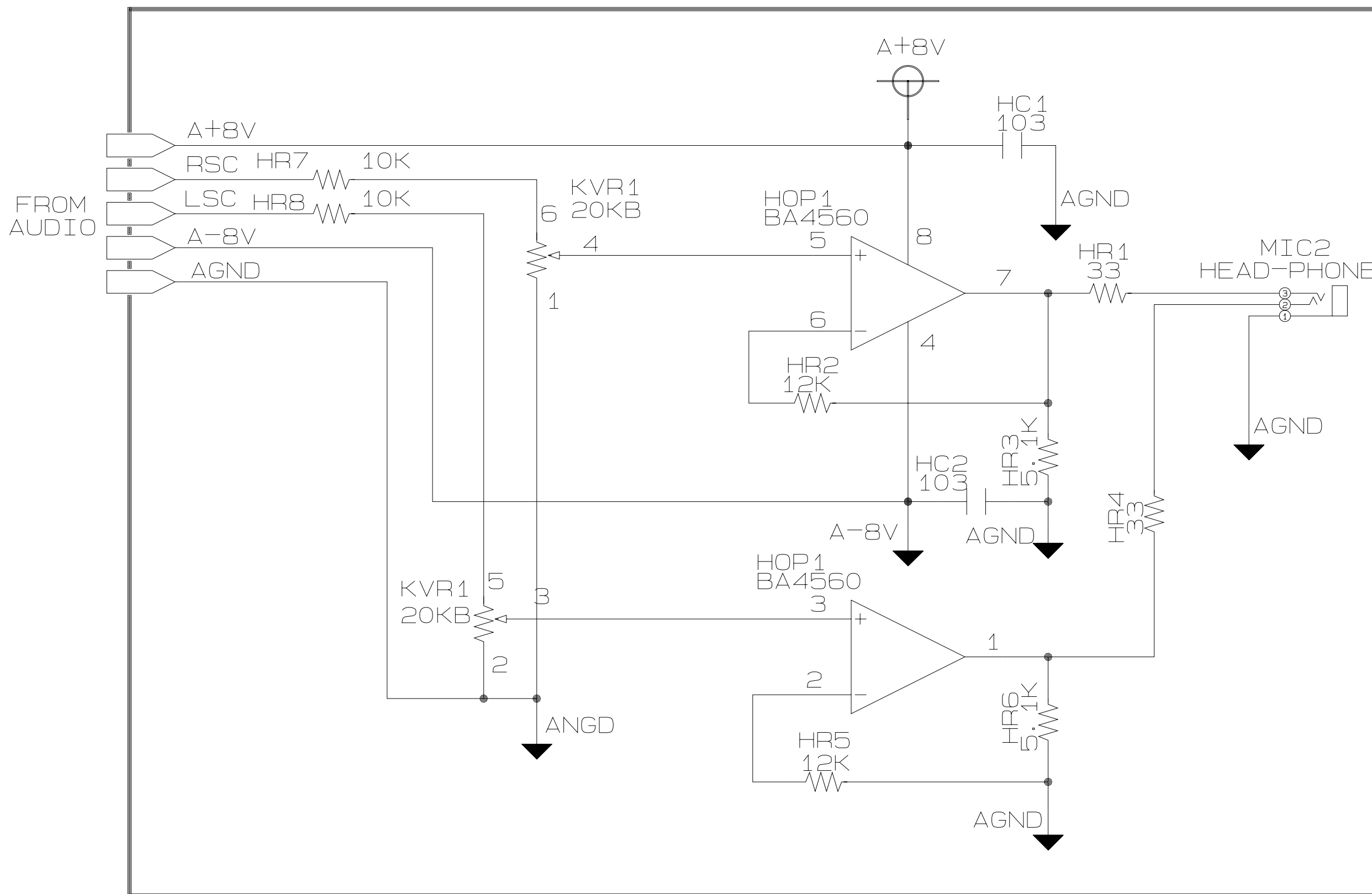
12-11 DSP



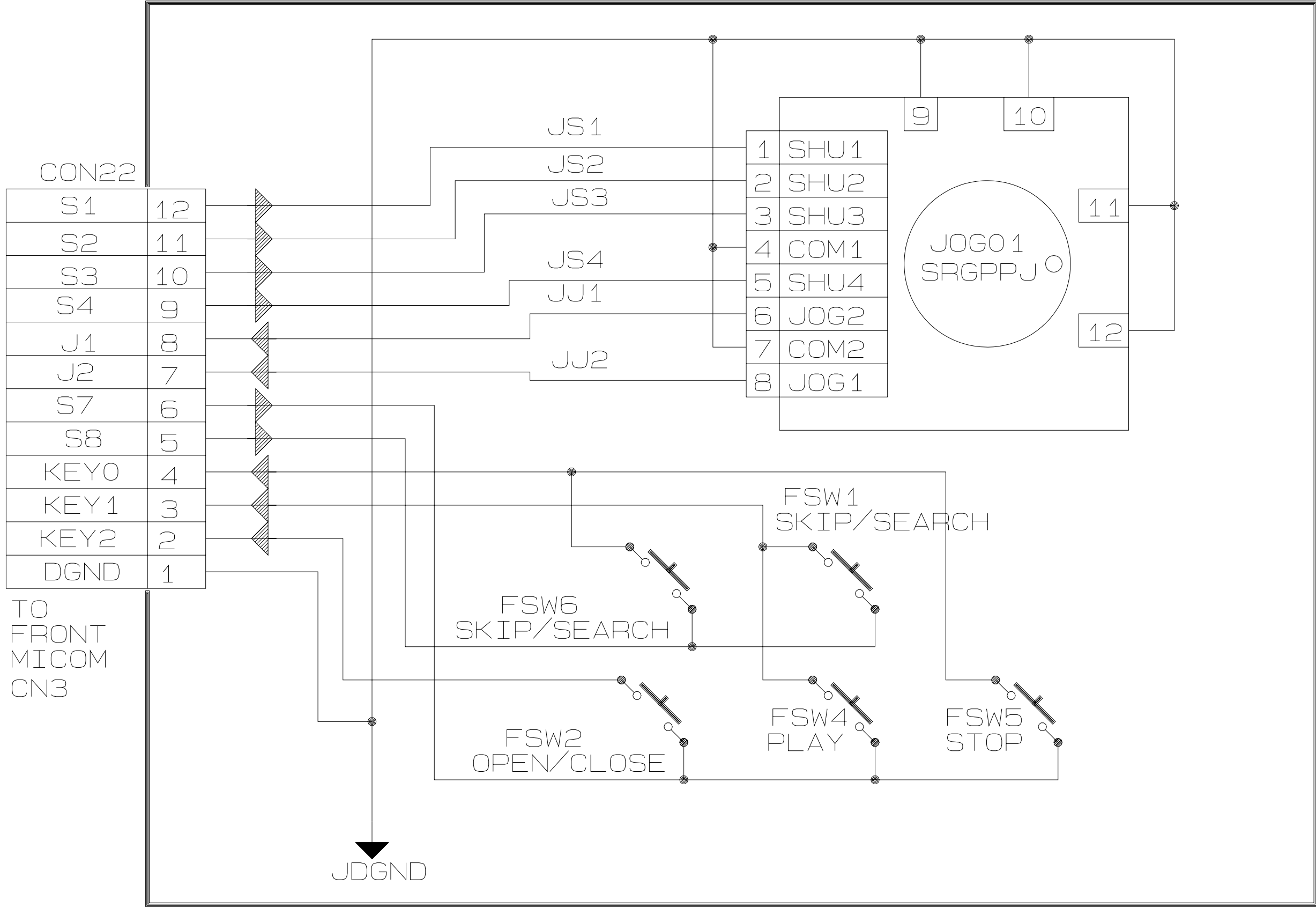
12-12 Front-Micom/VFD Display



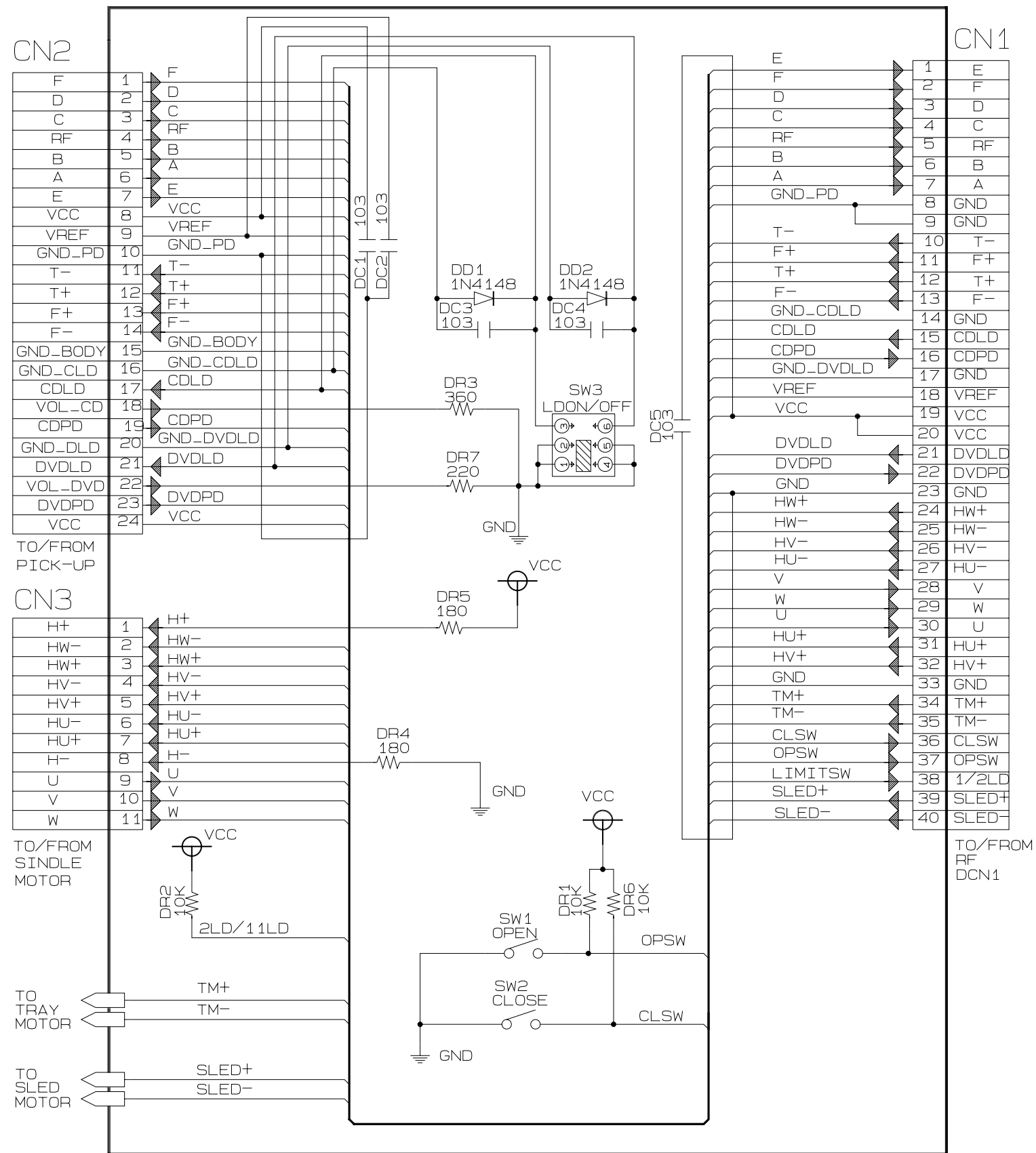
12-13 Headphone



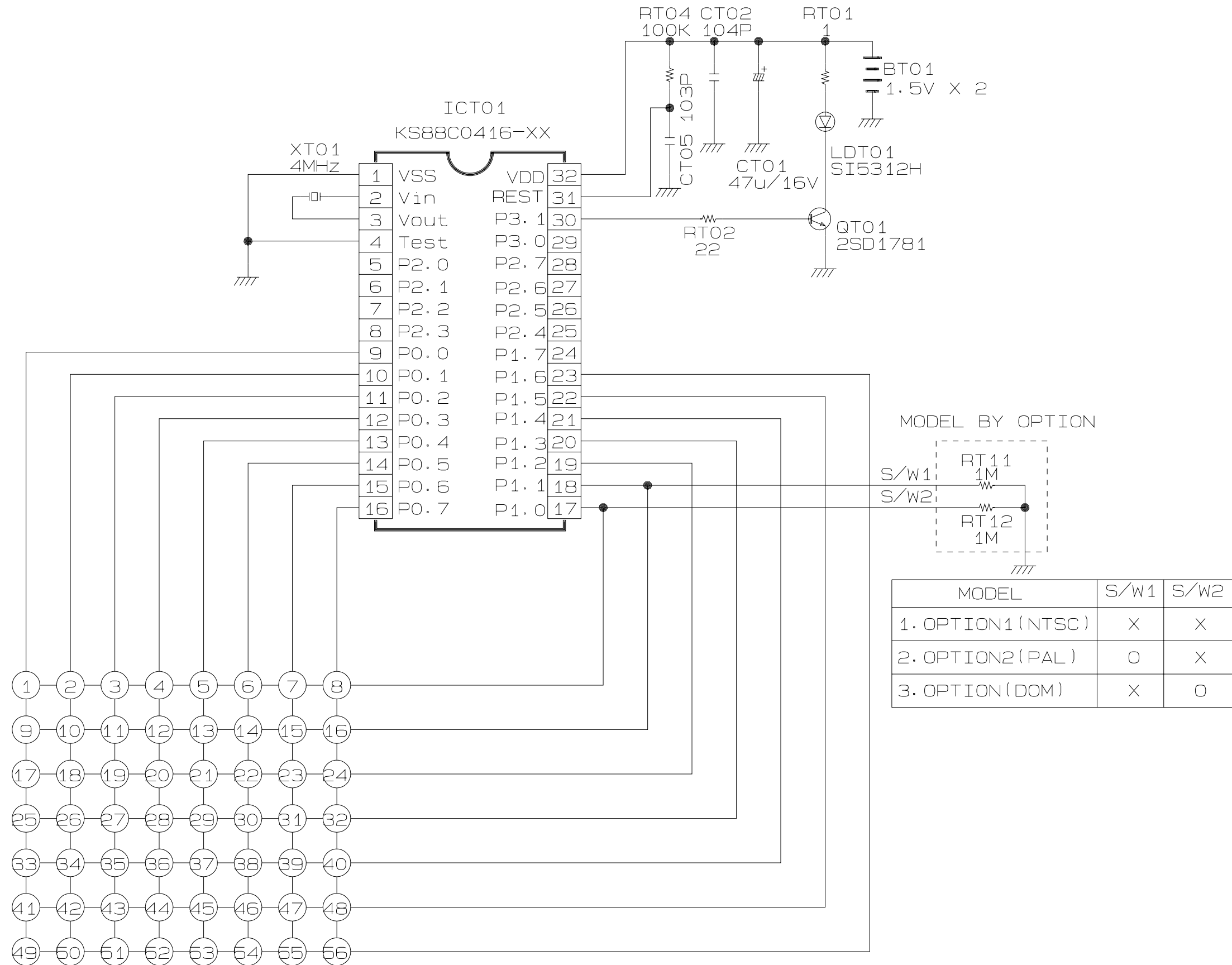
12-14 Key



12-15 Deck



12-16 Remote Control



MEMO